

Label Italy

PROFESSIONAL / AMATEUR PRODUCTS

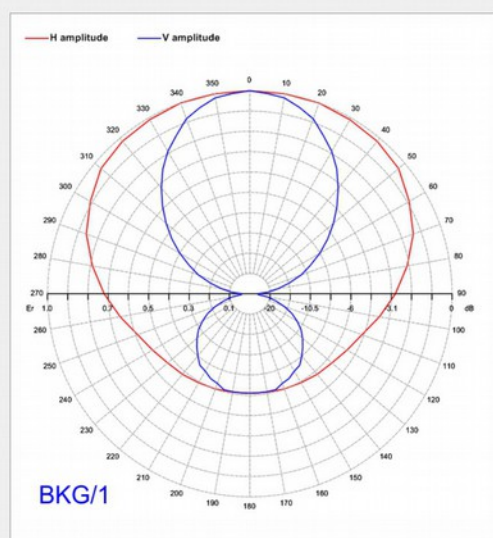
BKG/1	DIPOLE VHF Wide Band, 140 - 150Mhz, Aluminium	Pag. 1
BKR/3	YAGI 3 Elem. VHF W.B. 140 - 174Mhz, Stainless steel	Pag. 2
CKB/2C-Dip	DIPOLE UHF Wide Band 430-440Mhz, Stainless Steel	Pag. 3
FDB/130	PASS-BAND Cavity Filter 140-180Mhz	Pag. 4
FDB/530-C	PASS-BAND Cavity Filter 430-560Mhz, temp. Compens.	Pag. 5
FDB/50	PASS-BAND Cavity Filter 50-60Mhz	Pag. 6
FDN/130	NOTCH Cavity Filter 140-180Mhz	Pag. 7
FDN/530-C	NOTCH Cavity Filter 430-560Mhz, temp. Compens.	Pag. 8
FDN/50	NOTCH Cavity Filter 50-60Mhz	Pag. 9
ADB/22V	DIPLEXER at 2+2 notch, 100W, band 140-180Mhz	Pag. 10
ADB/33V	DIPLEXER at 3+3 notch, 100W, band 140-180Mhz	Pag. 11
ADB/22U	DIPLEXER at 3+3 notch, 100W, band 430-560Mhz	Pag. 12
ADB/33U	DIPLEXER at 3+3 notch, 100W, band 430-560Mhz	Pag. 13
ADB/22V-50	DIPLEXER at 2+2 notch, 100W, band 50-60Mhz	Pag. 14
GA..	POWER SPLITTER VHF - UHF	Pag. 15

BKG/1

VHF DIPOLE ANTENNA

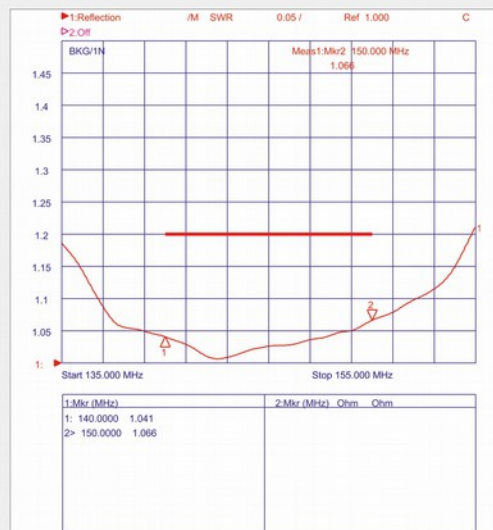
FEATURES

- DIPOLE ANTENNA VHF
- VERTICAL POLARIZATION
- CONNECTOR IN **N**
- WIDE BAND
- MADE OF ALUMINUM (ALODYNE)
- PTFE INSULATORS
- STAINLESS STEEL SCREWS AND CLAMP
- DC ELECTRICALLY GROUNDED



TECHNICAL DATA

Frequency Range	140 - 150Mhz
Impedance	50ohm
Return Loss	≥ 18dB
Gain	2dBd
Power Connector N version	500W
Wind load at 160Km/h	7kg
Absolute max Wind velocity	180Km/h
External Dimensions	90x63x6cm
Weight	3.5Kg

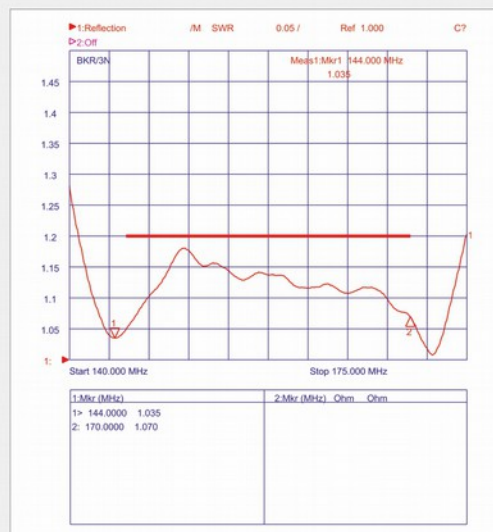
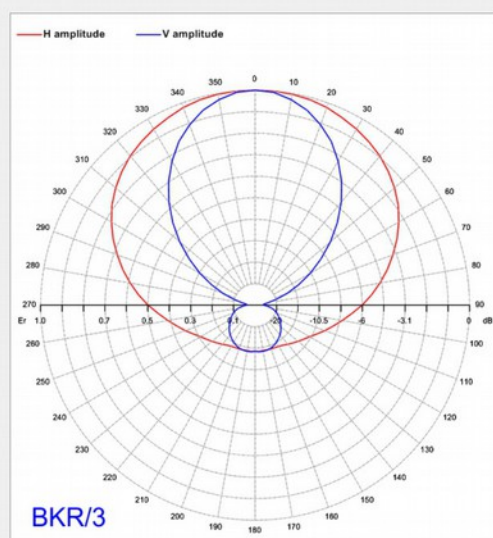


BKR/3

VHF YAGI ANTENNA

FEATURES

- YAGI ANTENNA VHF
- VERTICAL POLARIZATION
- CONNECTOR IN **N**
- WIDE BAND
- MADE OF STAINLESS STEEL
- PTFE INSULATORS
- STAINLESS STEEL SCREWS AND CLAMP
- DC ELECTRICALLY GROUNDED



TECHNICAL DATA

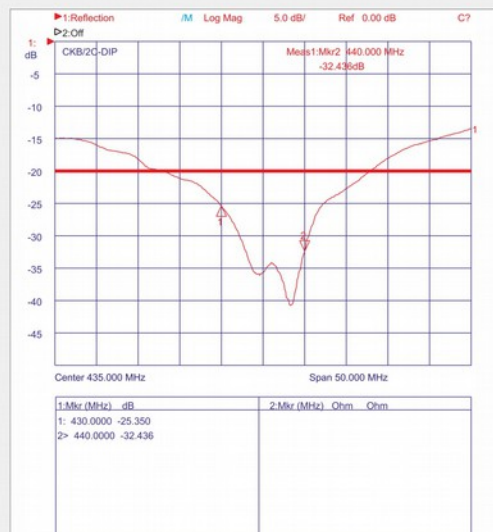
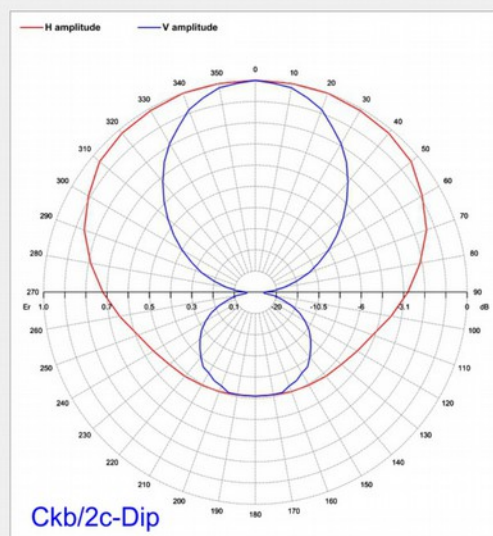
Frequency Range	140 - 170Mhz
Impedance	50ohm
Return Loss	≥ 20dB
Gain	5dBd
Power Connector N version	500W
Wind load at 160Km/h	13kg
Absolute max Wind velocity	220Km/h
External Dimensions	110x88x6cm
Weight	8.2Kg

CKB/2C-DIP

UHF DIPOLE ANTENNA

FEATURES

- DIPOLE ANTENNA UHF
- VERTICAL POLARIZATION
- CONNECTOR IN **N**
- WIDE BAND
- MADE OF STAINLESS STEEL
- STAINLESS STEEL SCREWS AND CLAMP
- DC ELECTRICALLY GROUNDED



TECHNICAL DATA

Frequency Range	140 - 150Mhz
Impedance	50ohm
Return Loss	≥ 25dB
Gain	2dBd
Power Connector N version	500W
Wind load at 160Km/h	4.1kg
Absolute max Wind velocity	180Km/h
External Dimensions	56x29x5cm
Weight	2.3Kg

FDB/130

VHF CAVITY FILTER

FEATURES

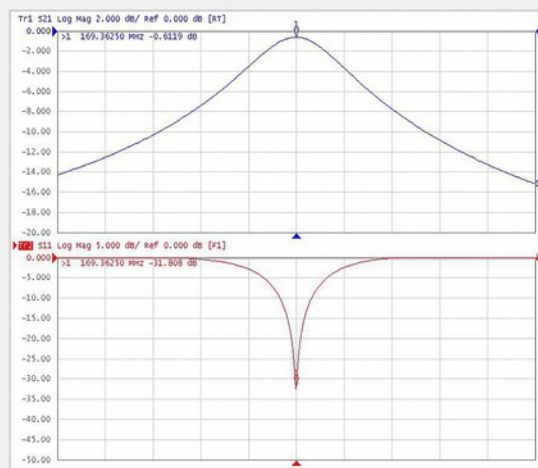
- VHF CAVITY FILTER
- CONNECTORS IN/OUT **N**
- VARIABLE BANDWIDTH
- EXTERNAL BODY IN ALUMINUM
- INTERNAL LINES SILVER PLATED



TECHNICAL DATA

Frequency Range	140 - 180Mhz
In and Out Impedance	50ohm
Return Loss	≥ 30dB
Attenuation	≤ 0.6dB
Power *	100W
Working Temperature	-10 to 45°C
External Dimensions	12x12x70cm
Weight	4.5Kg

* at max eight above sea level of 1500mt



FDB/530

UHF CAVITY FILTER

FEATURES

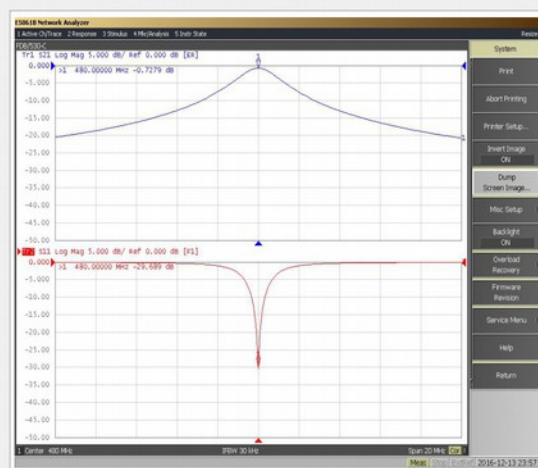
- UHF CAVITY FILTER
- CONNECTORS IN/OUT **N**
- VARIABLE BANDWIDTH
- EXTERNAL BODY IN ALUMINUM
- INTERNAL LINES SILVER PLATED
- TEMPERATURE COMPENSATED



TECHNICAL DATA

Frequency Range	430 - 560Mhz
In and Out Impedance	50ohm
Return Loss	≥ 30dB
Attenuation	≤ 0.6dB
Power *	100W
Working Temperature	-10 to 45°C
External Dimensions	12x12x32cm
Weight	2.6Kg

* at max eight above sea level of 1500mt



FDB/50

VHF CAVITY FILTER

FEATURES

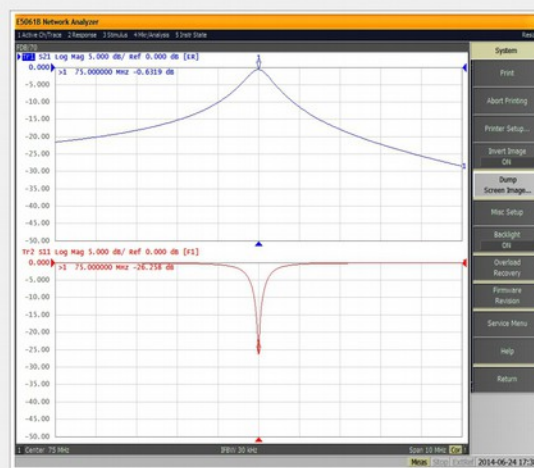
- VHF CAVITY FILTER
- CONNECTORS IN/OUT **N**
- VARIABLE BANDWIDTH
- EXTERNAL BODY IN ALUMINUM
- INTERNAL LINES SILVER PLATED



TECHNICAL DATA

Frequency Range	50 - 60Mhz
In and Out Impedance	50ohm
Return Loss	≥ 30dB
Attenuation	≤ 0.6dB
Power *	100W
Working Temperature	-10 to 45°C
External Dimensions	12x12x115cm
Weight	9.5Kg

* at max eight above sea level of 1500mt



FDN/130

VHF CAVITY "NOTCH" FILTER

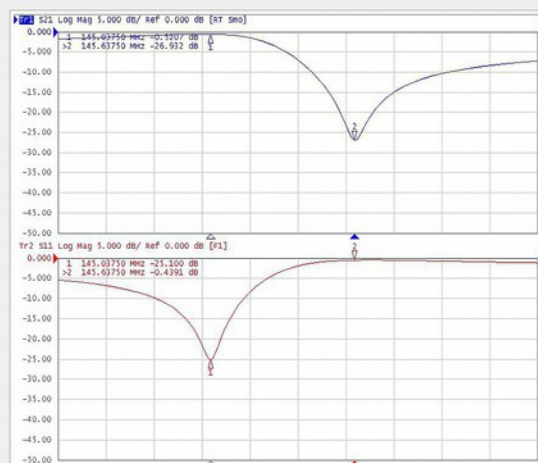
FEATURES

- VHF CAVITY FILTER, NOTCH VERSION
- CONNECTORS IN/OUT **N**
- EXTERNAL BODY IN ALUMINUM
- INTERNAL LINES SILVER PLATED



TECHNICAL DATA

Frequency Range	140 - 150Mhz
In and Out Impedance	50ohm
Return Loss	≥ 30dB
Attenuation	≤ 0.5dB
Power *	100W
Notch Attenuation at 600Khz	≥ 28dB
Working Temperature	-10 to 45°C
External Dimensions	12x12x70cm
Weight	4.5Kg
* at max eight above sea level of 1500mt	



FDN/530

UHF CAVITY "NOTCH" FILTER

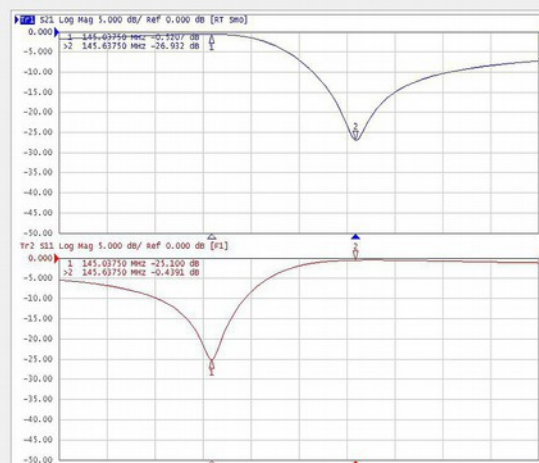
FEATURES

- UHF CAVITY FILTER, NOTCH VERSION
- CONNECTORS IN/OUT **N**
- EXTERNAL BODY IN ALUMINUM
- INTERNAL LINES SILVER PLATED
- TEMPERATURE COMPENSATED



TECHNICAL DATA

Frequency Range	430 - 560Mhz
In and Out Impedance	50ohm
Return Loss	≥ 30dB
Attenuation	≤ 0.5dB
Power *	100W
Notch Attenuation at 1.6Mhz	≥ 28dB
Working Temperature	-10 to 45°C
External Dimensions	12x12x32cm
Weight	2.6Kg
* at max eight above sea level of 1500mt	

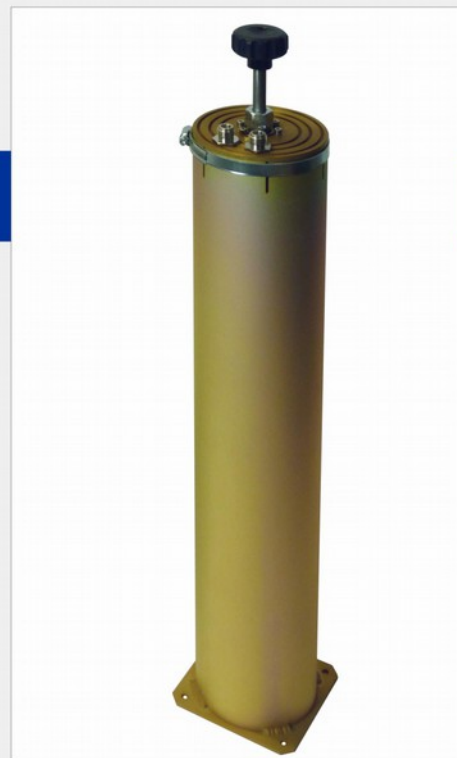


FDN/50

VHF CAVITY "NOTCH" FILTER

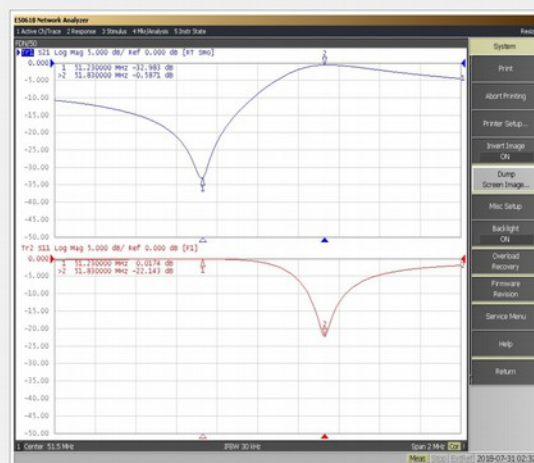
FEATURES

- VHF CAVITY FILTER, NOTCH VERSION
- CONNECTORS IN/OUT **N**
- EXTERNAL BODY IN ALUMINUM
- INTERNAL LINES SILVER PLATED



TECHNICAL DATA

Frequency Range	50 - 60Mhz
In and Out Impedance	50ohm
Return Loss	≥ 30dB
Attenuation	≤ 0.5dB
Power *	100W
Notch Attenuation at 600Khz	≥ 30dB
Working Temperature	-10 to 45°C
External Dimensions	12x12x115cm
Weight	9.5Kg
* at max eight above sea level of 1500mt	



ADB/22V

VHF DUPLEXER

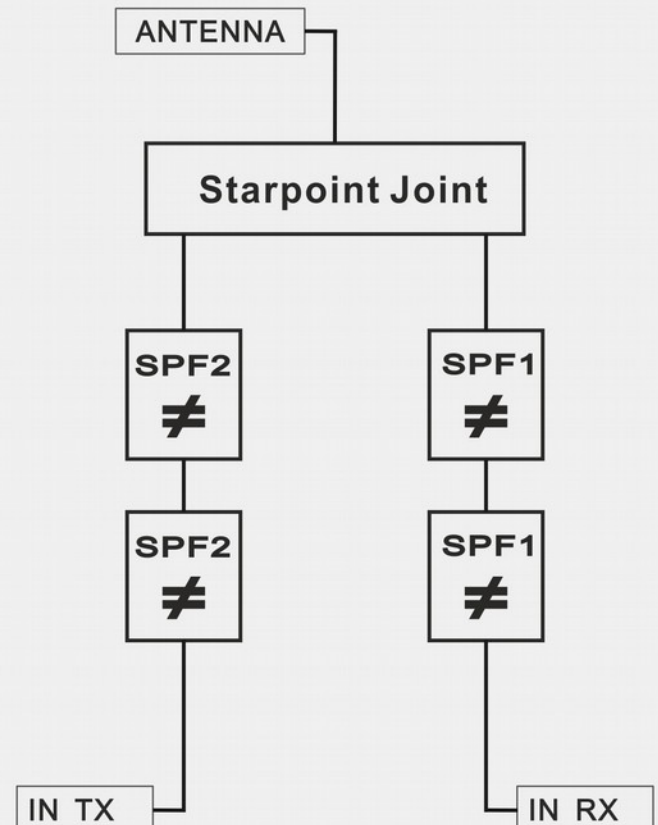
FEATURES

- VHF AMATEUR DUPLEXER
- 2+2 CAVITY NOTCH FILTERS
- CONNECTORS IN **N**
- CONNECTOR OUT **N**



TECHNICAL DATA

Frequency Range	140 - 180Mhz
In and Out Impedance	50ohm
Return Loss	≥ 26dB
Attenuation	≤ 1.7dB
Input Power *	2x100W
Isolation	≥ 70dB
Min, Channels spacing	≥ 600Khz
Working Temperature	-10 to 45°C
External Dimensions	40x50x70cm
Weight	20Kg
* at max eight above sea level of 1500mt	

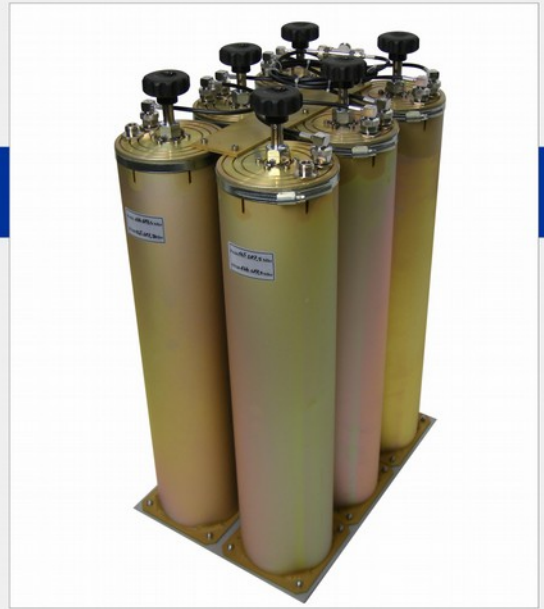


ADB/33V

VHF DUPLEXER

FEATURES

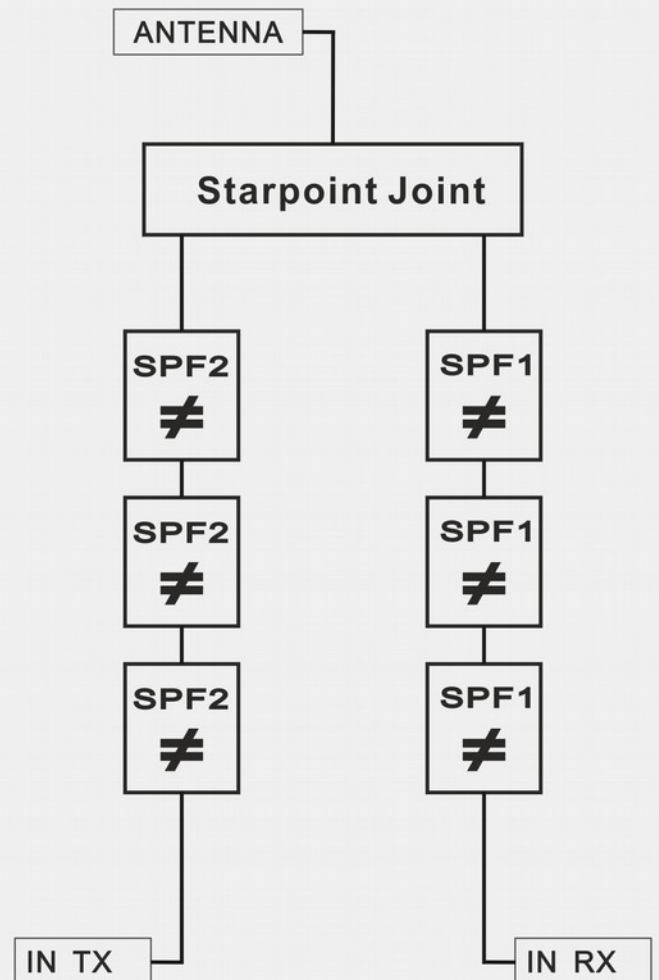
- VHF AMATEUR DUPLEXER
- 3+3 CAVITY NOTCH FILTERS
- CONNECTORS IN **N**
- CONNECTOR OUT **N**



TECHNICAL DATA

Frequency Range	140 - 180Mhz
In and Out Impedance	50ohm
Return Loss	≥ 26dB
Attenuation	≤ 2.1dB
Input Power *	2x100W
Isolation	≥ 95dB
Min, Channels spacing	≥ 600Khz
Working Temperature	-10 to 45°C
External Dimensions	40x50x70cm
Weight	29Kg

* at max eight above sea level of 1500mt



ADB/22U

UHF DUPLEXER

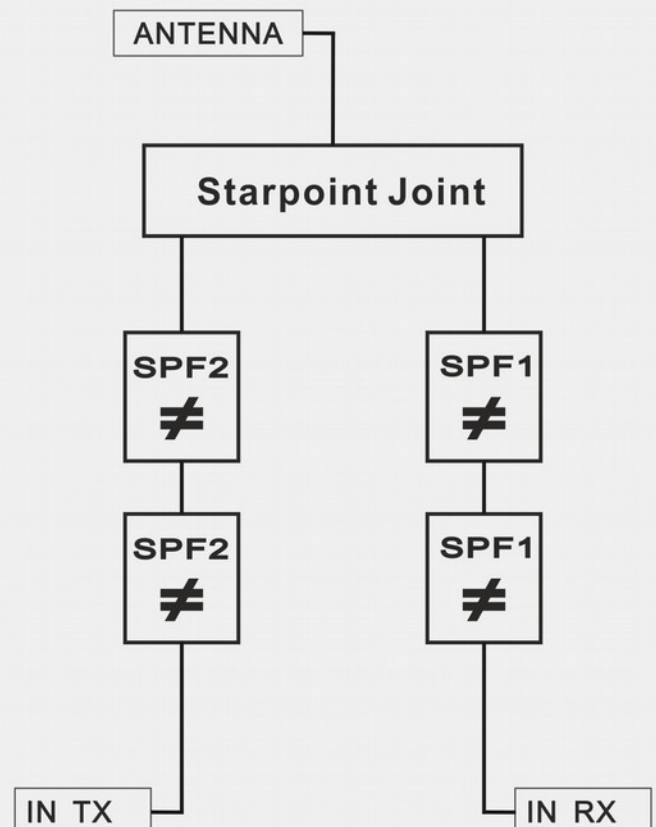
FEATURES

- UHF AMATEUR DUPLEXER
- 2+2 CAVITY NOTCH FILTERS
- CONNECTORS IN **N**
- CONNECTOR OUT **N**
- TEMPERATURE COMPENSATED



TECHNICAL DATA

Frequency Range	430 - 560Mhz
In and Out Impedance	50ohm
Return Loss	≥ 26dB
Attenuation	≤ 1.7dB
Input Power *	2x100W
Isolation	≥ 70dB
Min, Channels spacing	≥ 1.6Mhz
Working Temperature	-10 to 45°C
External Dimensions	40x50x32cm
Weight	13Kg
* at max eight above sea level of 1500mt	



ADB/33U

UHF DUPLEXER

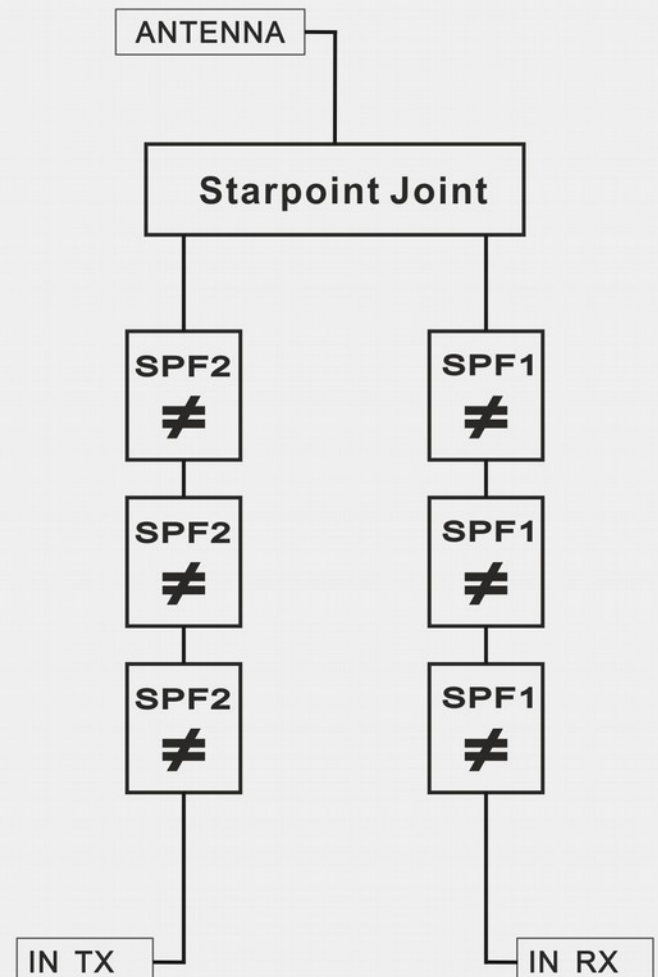
FEATURES

- UHF AMATEUR DUPLEXER
- 3+3 CAVITY NOTCH FILTERS
- CONNECTORS IN **N**
- CONNECTOR OUT **N**
- TEMPERATURE COMPENSATED



TECHNICAL DATA

Frequency Range	430 - 560Mhz
In and Out Impedance	50ohm
Return Loss	≥ 26dB
Attenuation	≤ 2.1dB
Input Power *	2x100W
Isolation	≥ 95dB
Min, Channels spacing	≥ 1.6Mhz
Working Temperature	-10 to 45°C
External Dimensions	40x50x32cm
Weight	19Kg
* at max eight above sea level of 1500mt	



ADB/22V-50

VHF DUPLEXER

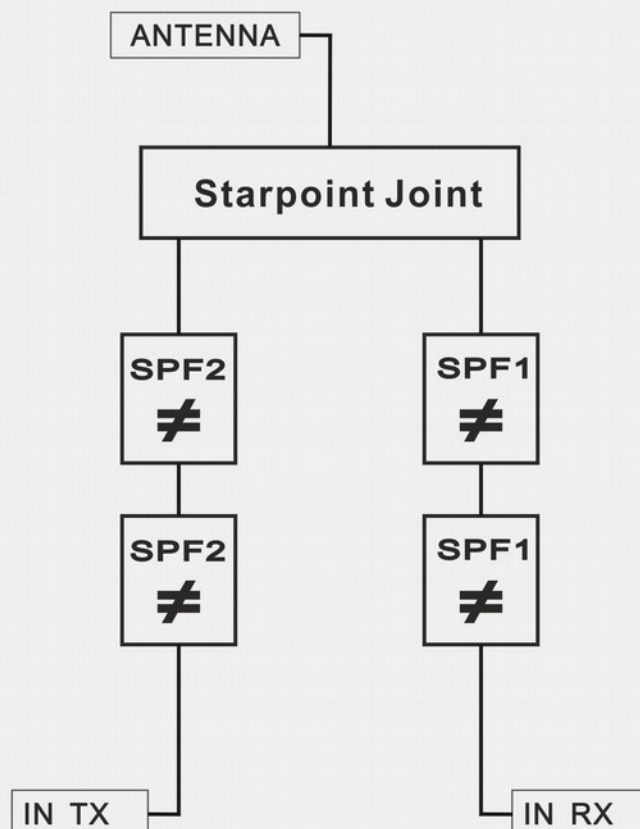
FEATURES

- VHF AMATEUR DUPLEXER
- 2+2 CAVITY NOTCH FILTERS
- CONNECTORS IN **N**
- CONNECTOR OUT **N**



TECHNICAL DATA

Frequency Range	50 - 60Mhz
In and Out Impedance	50ohm
Return Loss	≥ 26dB
Attenuation	≤ 1.6dB
Input Power *	2x100W
Isolation	≥ 70dB
Min, Channels spacing	≥ 0.5Mhz
Working Temperature	-10 to 45°C
External Dimensions	40x50x115cm
Weight	39Kg
* at max eight above sea level of 1500mt	



POWER SPLITTERS V-UHF

VHF - UHF SPLITTERS

FEATURES

- VHF - UHF SPLITTERS
- EXTERNAL BODY IN ALUMINUM TREATED ALODYNE AND POWDER COATED
- INTERNAL LINES IN ALUMINUM TREATED ALODYNE
- PTFE INSULATORS
- O-RING SEALS IN SILICONE RUBBER



Model	Article description		Power	IN	OUT
GACN/2N-V	POWER SPLITTER , 2 out, VHF	140 - 150Mhz	1KW	N	N
GACN/4N-V	POWER SPLITTER , 4 out, VHF	140 - 150Mhz	1KW	N	N
GACM/2N-V	POWER SPLITTER , 2 out, VHF	140 - 150Mhz	2KW	7/16	N
GACM/4N-V	POWER SPLITTER , 4 out, VHF	140 - 150Mhz	2KW	7/16	N
GACN/2N-W	POWER SPLITTER , 2 out, VHF	150 - 170Mhz	1KW	N	N
GACN/4N-W	POWER SPLITTER , 4 out, VHF	150 - 170Mhz	1KW	N	N
GACN/2N-U	POWER SPLITTER , 2 out, UHF	430 - 470Mhz	800W	N	N
GACN/4N-U	POWER SPLITTER , 4 out, UHF	430 - 470Mhz	800W	N	N
GACM/2N-U	POWER SPLITTER , 2 out, UHF	430 - 470Mhz	1,5KW	7/16	N
GACM/4N-U	POWER SPLITTER , 4 out, UHF	430 - 470Mhz	1,5KW	7/16	N

- SPECIAL VERSION
- 2+2 OR 3+3 OUT
- DESIGNED FOR ANTENNA ARRAY



Model	Article description		Power	IN	OUT
GADM/4N-V	POWER SPLITTER, 2+2 out, VHF	140-150Mhz	2KW	7/16	N
GADM/6N-V	POWER SPLITTER, 3+3 out, VHF	140-150Mhz	2KW	7/16	N