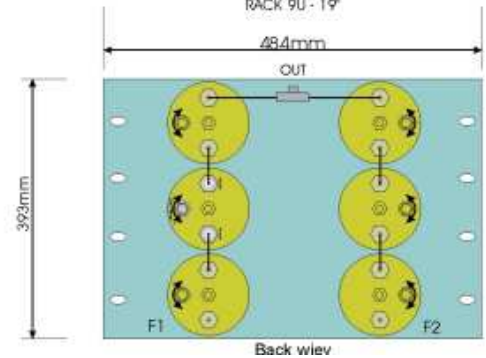
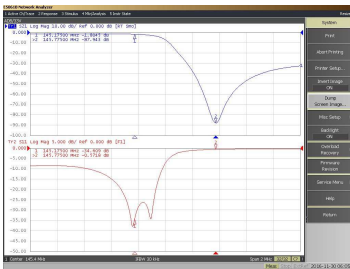
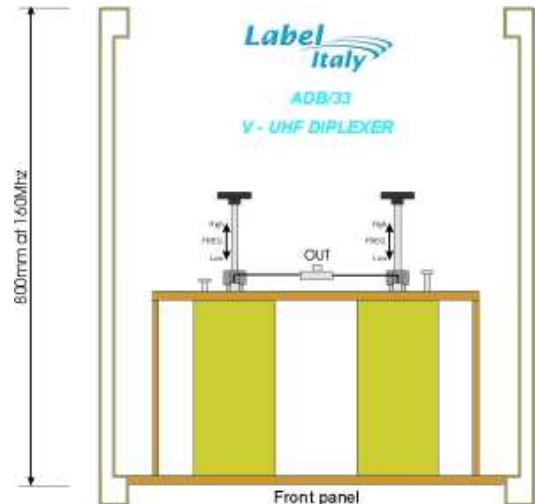
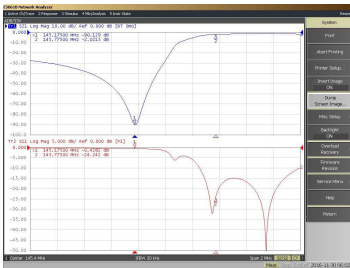


DIPLEXER 3+3 NOTCH FILTERS



Features	ADB/33-V	ADB/33-U
Frequency range	VHF 140-180Mhz	UHF 430-480Mhz
In / Out connectors	"N" female / "N" female	"N" female / "N" female
Insertion Loss	-1.5 to -2.5db	-1.5 to -2.5db
Return Loss	-20 to -25db	-20 to -25db
Typicall Isolation	>90db	>90db
Spacing between Freq.	600khz	1.6Mhz
Input Power	100W Max.	100W Max.
Thermal Stability	5 ppm/°C	2 ppm/°C (Temp. Comp.)
Working Temperature	typical 0° +40°	typical 0° +40°